

| SI UNITS (mm) | | IMPERIAL UNITS (in.) | |
|---------------|-----|----------------------|--------|
| A | L | A | L |
| 152 | 518 | 6 | 20 3/8 |
| 178 | | 7 | |
| 203 | | 8 | |
| 229 | | 9 | |
| 254 | 530 | 10 | 20 7/8 |
| 305 | 587 | 12 | 23 1/8 |
| 356 | 613 | 14 | 24 1/8 |
| 406 | 664 | 16 | 26 1/8 |

| UNIT SIZE | w/PACKLESS SILENCER | | w/ABSORPTIVE SILENCER | |
|-----------|---------------------|---------|-----------------------|---------|
| | L/S MAX | CFM MAX | L/S MAX | CFM MAX |
| 6 | 179 | 380 | 212 | 450 |
| 7 | 283 | 600 | 307 | 650 |
| 8 | 378 | 800 | 378 | 800 |
| 9 | 472 | 1000 | 496 | 1050 |
| 10 | 637 | 1350 | 637 | 1350 |
| 12 | 944 | 2000 | 991 | 2100 |
| 14 | 1180 | 2500 | 1416 | 3000 |
| 16 | 1649 | 3500 | 1888 | 4000 |

TERMINAL NOTES:

- 22 GA. ZINC COATED STEEL HOUSING. MECHANICALLY SEALED AND GASKETED, LEAK RESISTANT CONSTRUCTION.
- ACTUATOR WILL BE SUPPLIED AS ILLUSTRATED ON RIGHT HAND SIDE UNLESS SPECIFIED OTHERWISE.
- PNEUMATIC ACTUATOR SUPPLIED & MOUNTED BY PRICE.
- CLEAN, DRY, 20 PSI (138 kPa) CONTROL AIR REQUIRED
- GAUGE TAPS ARE STANDARD.
- MULTI-POINT SENSOR SUPPLIED BY PRICE
- PRODUCT TO BE SHIPPED FACTORY ASSEMBLED

TERMINAL OPTIONS:

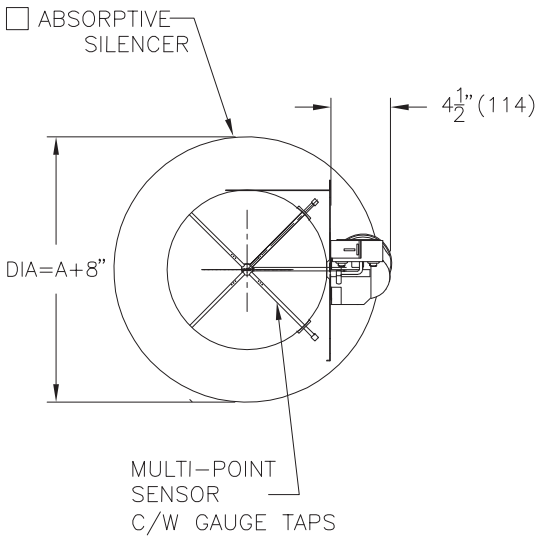
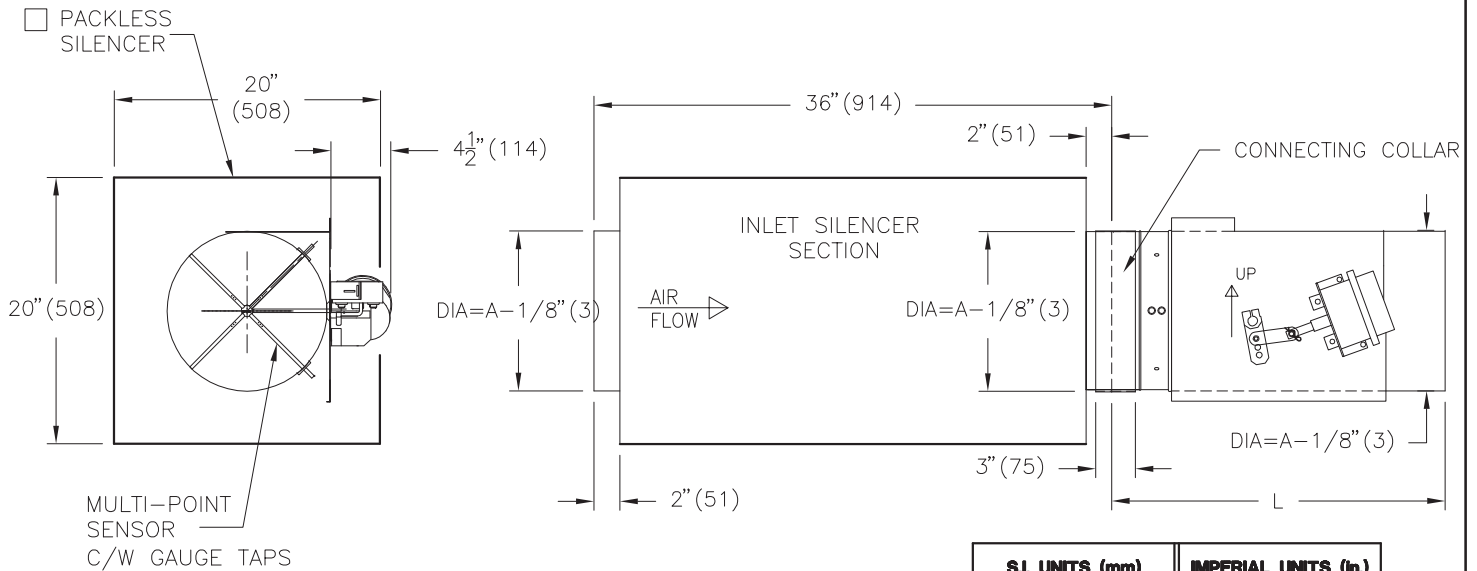
- PNEUMATIC ACTUATOR SUPPLIED BY CONTROL CONTRACTOR & MOUNTED BY PRICE.
- PROTECTIVE CONTROLLER COVER
- RS - BOTTOM REMOVABLE SENSOR.

INLET SILENCER NOTES:

- SILENCER, - 22 GA, GALVANIZED, MECHANICALLY FASTENED CONSTRUCTION
- PACKLESS INLET SILENCER (NO MEDIA)
- ABSORPTIVE INLET SILENCER LINED WITH FIBERGLASS INSULATION
 - ABSORPTIVE SILENCER MEDIA TREATMENT OPTIONS:
 - PL - POLYMER LINER
 - FC - FIBERGLASS CLOTH

ALL METRIC DIMENSIONS () ARE SOFT CONVERTED. IMPERIAL DIMENSIONS ARE CONVERTED TO METRIC AND ROUNDED TO THE NEAREST MILLIMETER.

| | | | |
|------------------------|----------------------|---------------|---|
| PROJECT: | | PRICE® | |
| ENGINEER: | | BE | RPVQ8000 EXHAUST CONTROL VALVE WITH INLET SILENCER PNEUMATIC CONTROLS |
| CUSTOMER: | | 253153 | |
| SUBMITTAL DATE: | SPEC. SYMBOL: | 2013/06/03 | |



| S.I. UNITS (mm) | | IMPERIAL UNITS (in.) | |
|-----------------|-----|----------------------|--------------------------------|
| A | L | A | L |
| 152 | 518 | 6 | 20 ³ / ₈ |
| 178 | | 7 | |
| 203 | | 8 | |
| 229 | | 9 | |
| 254 | 530 | 10 | 20 ⁷ / ₈ |
| 305 | 587 | 12 | 23 ¹ / ₈ |
| 356 | 613 | 14 | 24 ¹ / ₈ |
| 406 | 664 | 16 | 26 ¹ / ₈ |

| UNIT SIZE | w/PACKLESS SILENCER | | w/ABSORPTIVE SILENCER | |
|-----------|---------------------|---------|-----------------------|---------|
| | L/S MAX | CFM MAX | L/S MAX | CFM MAX |
| 6 | 179 | 380 | 212 | 450 |
| 7 | 283 | 600 | 307 | 650 |
| 8 | 378 | 800 | 378 | 800 |
| 9 | 472 | 1000 | 496 | 1050 |
| 10 | 637 | 1350 | 637 | 1350 |
| 12 | 944 | 2000 | 991 | 2100 |
| 14 | 1180 | 2500 | 1416 | 3000 |
| 16 | 1649 | 3500 | 1888 | 4000 |

TERMINAL NOTES:

- 22 GA. ZINC COATED STEEL HOUSING. MECHANICALLY SEALED AND GASKETED, LEAK RESISTANT CONSTRUCTION.
- ACTUATOR WILL BE SUPPLIED AS ILLUSTRATED ON RIGHT HAND SIDE UNLESS SPECIFIED OTHERWISE.
- PNEUMATIC ACTUATOR SUPPLIED & MOUNTED BY PRICE.
- CLEAN, DRY, 20 PSI (138 kPa) CONTROL AIR REQUIRED
- GAUGE TAPS ARE STANDARD.
- SPECIFY THE ACTUATOR SPRING RANGE TO ACCOMMODATE THE THERMOSTAT CONTROL RANGE AND TO SEQUENCE WITH ANY CONTROL COMPONENTS AS SUPPLIED BY OTHERS.
- MINIMUM AIR VOLUME IS ZERO (SHUT-OFF).
- PRODUCT TO BE SHIPPED FACTORY ASSEMBLED

TERMINAL OPTIONS:

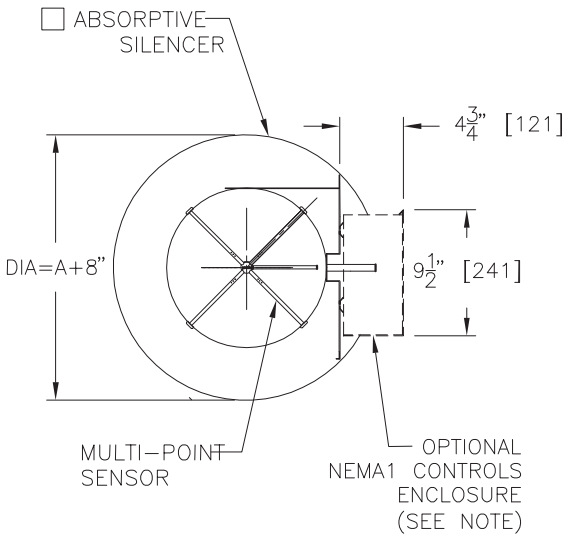
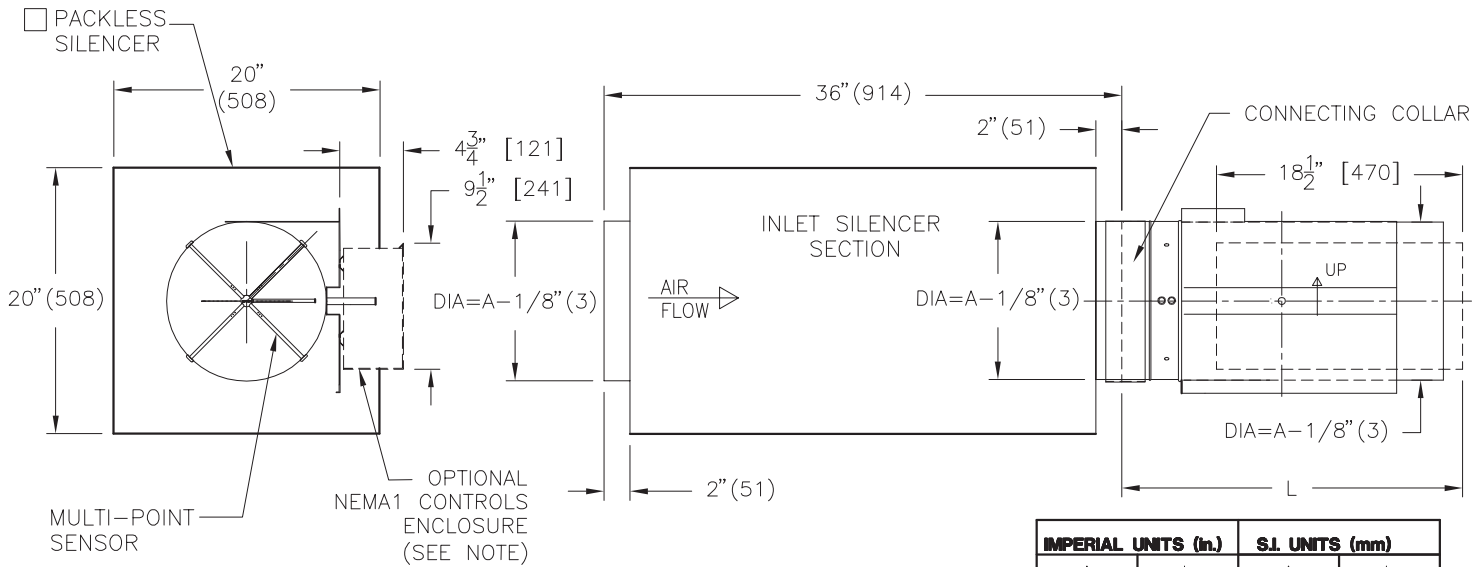
- PNEUMATIC ACTUATOR SUPPLIED BY CONTROL CONTRACTOR & MOUNTED BY PRICE.
- RS - BOTTOM REMOVABLE SENSOR.

INLET SILENCER NOTES:

- SILENCER, - 22 GA, GALVANIZED, MECHANICALLY FASTENED CONSTRUCTION
 - PACKLESS INLET SILENCER (NO MEDIA)
 - ABSORPTIVE INLET SILENCER LINED WITH FIBERGLASS INSULATION
 - ABSORPTIVE SILENCER MEDIA TREATMENT OPTIONS:
 - PL - POLYMER LINER
 - FC - FIBERGLASS CLOTH

ALL METRIC DIMENSIONS () ARE SOFT CONVERTED. IMPERIAL DIMENSIONS ARE CONVERTED TO METRIC AND ROUNDED TO THE NEAREST MILLIMETER.

| | | | |
|------------------------|----------------------|---------------|---|
| PROJECT: | | PRICE® | |
| ENGINEER: | | BG | RPVQ6000 EXHAUST CONTROL VALVE PPRESSURE DEPEND WITH INLET SILENCER |
| CUSTOMER: | | 253154 | |
| SUBMITTAL DATE: | SPEC. SYMBOL: | 2013/06/03 | |



| IMPERIAL UNITS (in.) | | SI UNITS (mm) | |
|----------------------|--------------------------------|---------------|-----|
| A | L | A | L |
| 6 | 20 ³ / ₈ | 152 | 86 |
| 7 | | 178 | |
| 8 | | 203 | |
| 9 | | 229 | |
| 10 | 20 ⁷ / ₈ | 254 | 530 |
| 12 | 23 ¹ / ₈ | 305 | 587 |
| 14 | 24 ¹ / ₈ | 356 | 613 |
| 16 | 26 ¹ / ₈ | 406 | 664 |

| UNIT SIZE | w/PACKLESS SILENCER | | w/ABSORPTIVE SILENCER | |
|-----------|---------------------|---------|-----------------------|---------|
| | CFM MAX | L/S MAX | CFM MAX | L/S MAX |
| 6 | 380 | 179 | 450 | 212 |
| 7 | 600 | 283 | 650 | 307 |
| 8 | 800 | 378 | 800 | 378 |
| 9 | 1000 | 472 | 1050 | 496 |
| 10 | 1350 | 637 | 1350 | 637 |
| 12 | 2000 | 944 | 2100 | 991 |
| 14 | 2500 | 1180 | 3000 | 1416 |
| 16 | 3500 | 1649 | 4000 | 1888 |

TERMINAL NOTES:

- 22 GA. ZINC COATED STEEL HOUSING. MECHANICALLY SEALED AND GASKETED, LEAK RESISTANT CONSTRUCTION.
- PRESSURE INDEPENDENT.
- DIGITAL CONTROLS BY CONTROL CONTRACTOR.
- PRODUCT TO BE SHIPPED FACTORY ASSEMBLED
- MULTI-POINT AIRFLOW SENSOR SUPPLIED BY PRICE

TERMINAL OPTIONS:

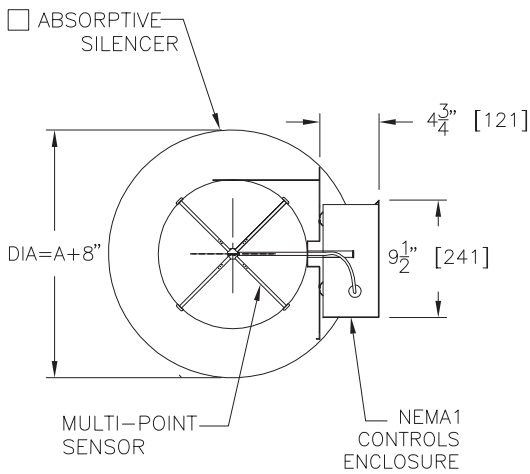
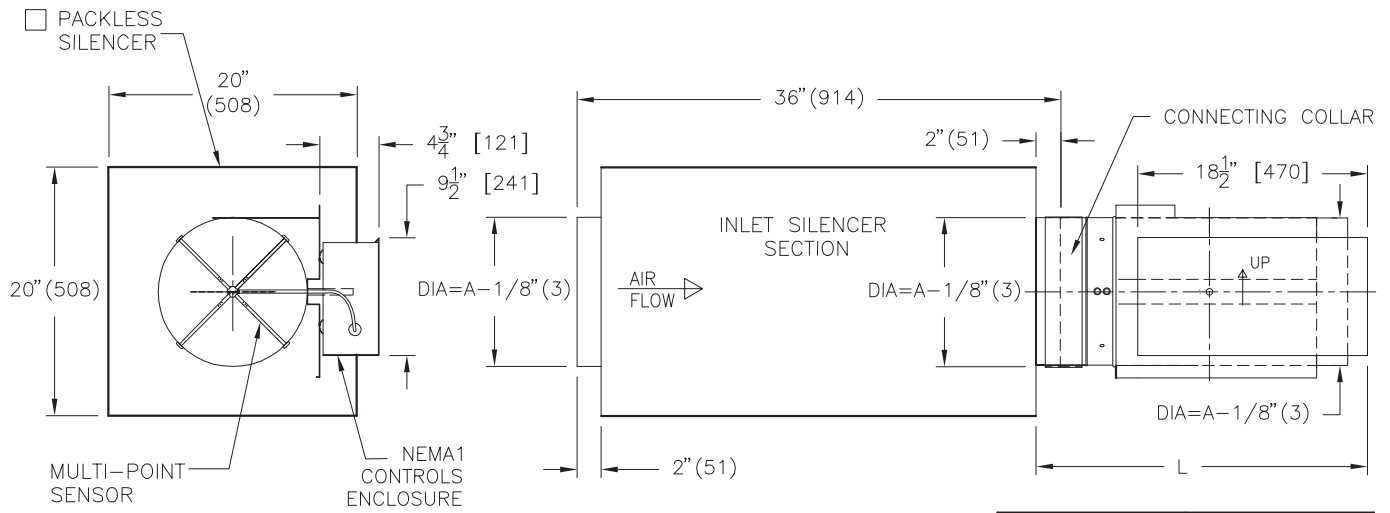
- GALVANIZED CONTROLS ENCLOSURE - NEMA1.
- DISCONNECT SWITCH.
- RS - BOTTOM REMOVABLE SENSOR.
- GT - BRASS AIRFLOW SENSOR GAUGE TAPS

INLET SILENCER NOTES:

- SILENCER , - 22 GA , GALVANIZED , MECHANICALLY FASTENED CONSTRUCTION
 - PACKLESS INLET SILENCER (NO MEDIA)
 - ABSORPTIVE INLET SILENCER LINED WITH FIBERGLASS INSULATION
- ABSORPTIVE SILENCER MEDIA TREATMENT OPTIONS:
 - PL - POLYMER LINER
 - FC - FIBERGLASS CLOTH

ALL METRIC DIMENSIONS () ARE SOFT CONVERTED. IMPERIAL DIMENSIONS ARE CONVERTED TO METRIC AND ROUNDED TO THE NEAREST MILLIMETER.

| | | | |
|------------------------|----------------------|---------------------------|---|
| PROJECT: | | PRICE [®] | |
| ENGINEER: | | BG | RDVQ5000 EXHAUST CONTROL VALVE DIGITAL CONTROLS WITH INLET SILENCER |
| CUSTOMER: | | 253155 | |
| SUBMITTAL DATE: | SPEC. SYMBOL: | 2013/06/03 | |



| IMPERIAL UNITS (in.) | | S.I. UNITS (mm) | |
|----------------------|--------------------------------|-----------------|-----|
| A | L | A | L |
| 6 | 20 ³ / ₈ | 152 | 86 |
| 7 | | 178 | |
| 8 | | 203 | |
| 9 | | 229 | |
| 10 | 20 ⁷ / ₈ | 254 | 530 |
| 12 | 23 ¹ / ₈ | 305 | 587 |
| 14 | 24 ¹ / ₈ | 356 | 613 |
| 16 | 26 ¹ / ₈ | 406 | 664 |

| UNIT SIZE | w/PACKLESS SILENCER | | w/ABSORPTIVE SILENCER | |
|-----------|---------------------|---------|-----------------------|---------|
| | CFM MAX | L/S MAX | CFM MAX | L/S MAX |
| 6 | 380 | 179 | 450 | 212 |
| 7 | 600 | 283 | 650 | 307 |
| 8 | 800 | 378 | 800 | 378 |
| 9 | 1000 | 472 | 1050 | 496 |
| 10 | 1350 | 637 | 1350 | 637 |
| 12 | 2000 | 944 | 2100 | 991 |
| 14 | 2500 | 1180 | 3000 | 1416 |
| 16 | 3500 | 1649 | 4000 | 1888 |

TERMINAL NOTES:

- 22 GA. ZINC COATED STEEL HOUSING. MECHANICALLY SEALED AND GASKETED, LEAK RESISTANT CONSTRUCTION.
- PRESSURE INDEPENDENT.
- PRICE CONTROLS FACTORY MOUNTED.
- PRICE THERMOSTAT FIELD MOUNTED
- PRODUCT TO BE SHIPPED FACTORY ASSEMBLED
- MULTI-POINT SENSOR SUPPLIED BY PRICE

TERMINAL OPTIONS:

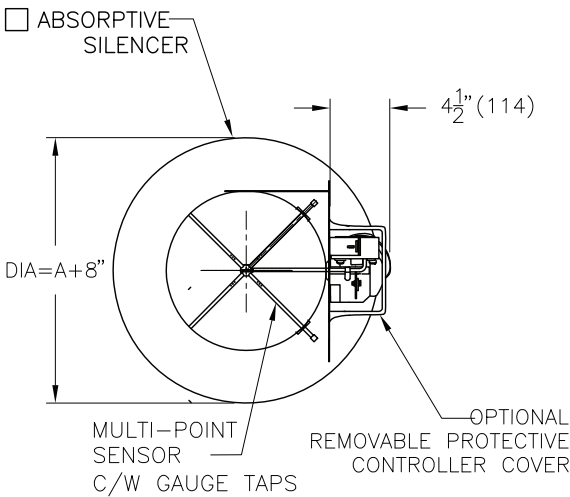
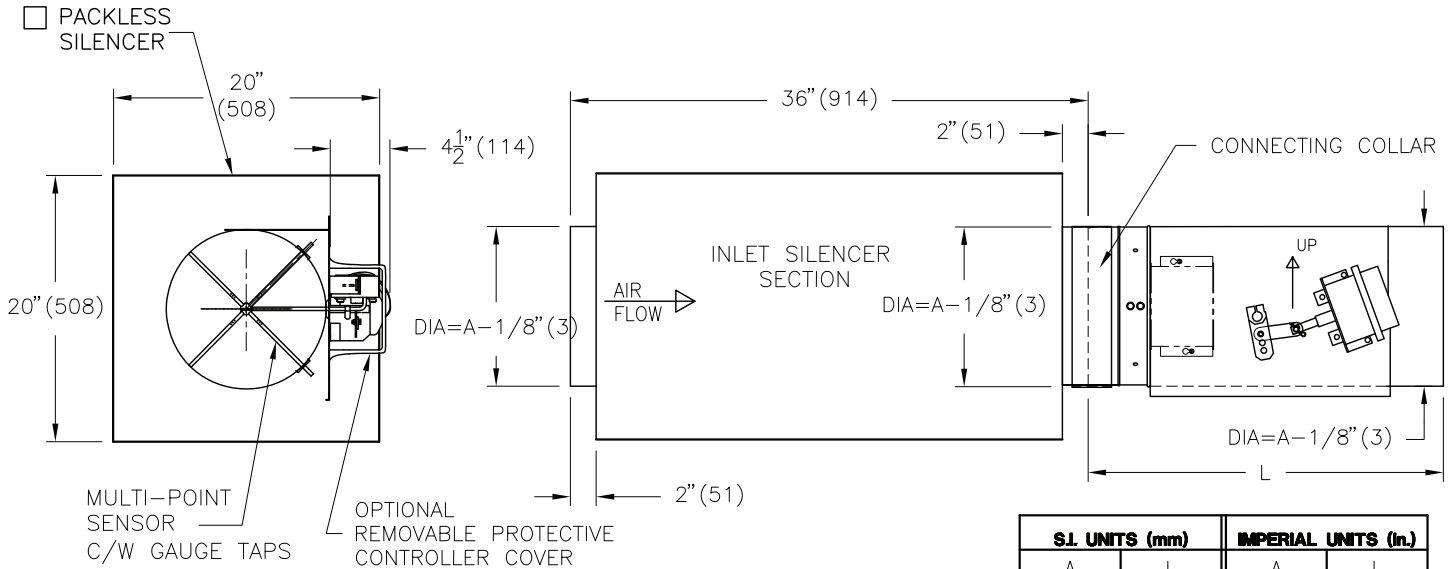
- DISCONNECT SWITCH.
- RS - BOTTOM REMOVABLE SENSOR.

INLET SILENCER NOTES:

- SILENCER, - 22 GA, GALVANIZED, MECHANICALLY FASTENED CONSTRUCTION
- PACKLESS INLET SILENCER (NO MEDIA)
- ABSORPTIVE INLET SILENCER LINED WITH FIBERGLASS INSULATION
- ABSORPTIVE SILENCER MEDIA TREATMENT OPTIONS:
 - PL - POLYMER LINER
 - FC - FIBERGLASS CLOTH

ALL METRIC DIMENSIONS () ARE SOFT CONVERTED. IMPERIAL DIMENSIONS ARE CONVERTED TO METRIC AND ROUNDED TO THE NEAREST MILLIMETER.

| | | | |
|------------------------|----------------------|---------------------------|---|
| PROJECT: | | PRICE [®] | |
| ENGINEER: | | BE | RDVQ8000 EXHAUST CONTROL VALVE PRICE CONTROLS WITH INLET SILENCER |
| CUSTOMER: | | 253156 | |
| SUBMITTAL DATE: | SPEC. SYMBOL: | 2013/06/03 | |



| SI. UNITS (mm) | | IMPERIAL UNITS (in.) | |
|----------------|-----|----------------------|--------------------------------|
| A | L | A | L |
| 152 | 518 | 6 | 20 ³ / ₈ |
| 178 | | 7 | |
| 203 | | 8 | |
| 229 | | 9 | |
| 254 | 530 | 10 | 20 ⁷ / ₈ |
| 305 | 587 | 12 | 23 ¹ / ₈ |
| 356 | 613 | 14 | 24 ¹ / ₈ |
| 406 | 664 | 16 | 26 ¹ / ₈ |

| UNIT SIZE | w/PACKLESS SILENCER | | w/ABSORPTIVE SILENCER | |
|-----------|---------------------|---------|-----------------------|---------|
| | L/S MAX | CFM MAX | L/S MAX | CFM MAX |
| 6 | 179 | 380 | 212 | 450 |
| 7 | 283 | 600 | 307 | 650 |
| 8 | 378 | 800 | 378 | 800 |
| 9 | 472 | 1000 | 496 | 1050 |
| 10 | 637 | 1350 | 637 | 1350 |
| 12 | 944 | 2000 | 991 | 2100 |
| 14 | 1180 | 2500 | 1416 | 3000 |
| 16 | 1649 | 3500 | 1888 | 4000 |

TERMINAL NOTES:

- DUCT CONSTRUCTION FROM 24 GA. TYPE 304 S.S.
- DAMPER FABRICATED FROM 22 GA. TYPE 316 S.S.
- DAMPER SHAFTS, ALL FASTENERS EXPOSED TO THE AIR FLOW ARE TYPE 304 S.S. OR BETTER.
- REMOVABLE MULTI-POINT SENSOR, TYPE 316 S.S.
- DAMPER SHAFT BEARINGS & DAMPER GASKET ARE POLYETHYLENE.
- CONTROLLER COVER & ALL OTHER EXTERNAL METAL COMPONENTS ARE ZINC COATED STEEL OR EQUAL.
- ACTUATOR WILL BE SUPPLIED AS ILLUSTRATED ON RIGHT HAND SIDE UNLESS SPECIFIED OTHERWISE.
- PNEUMATIC ACTUATOR SUPPLIED & MOUNTED BY PRICE.
- CLEAN, DRY, 20 PSI (138 KPa) CONTROL AIR REQUIRED
- GAUGE TAPS ARE STANDARD.
- PRODUCT TO BE SHIPPED FACTORY ASSEMBLED

ALL METRIC DIMENSIONS () ARE SOFT CONVERTED. IMPERIAL DIMENSIONS ARE CONVERTED TO METRIC AND ROUNDED TO THE NEAREST MILLIMETER.

TERMINAL OPTIONS:

- OTHER PNEUMATIC ACTUATORS SUPPLIED & MOUNTED BY PRICE
- PNEUMATIC ACTUATOR SUPPLIED BY CONTROL CONTRACTOR & MOUNTED BY PRICE.
- PROTECTIVE CONTROLLER COVER
- RS - BOTTOM REMOVABLE SENSOR.

INLET SILENCER NOTES:

- SILENCER, - 24 GA, TYPE 304 S.S., MECHANICALLY FASTENED CONSTRUCTION
- PACKLESS INLET SILENCER (NO MEDIA)
- ABSORPTIVE INLET SILENCER LINED WITH FIBERGLASS INSULATION
- ABSORPTIVE SILENCER MEDIA TREATMENT OPTIONS:
 - PL - POLYMER LINER
 - FC - FIBERGLASS CLOTH

PROJECT:

ENGINEER:

CUSTOMER:

SUBMITTAL DATE:

SPEC. SYMBOL:



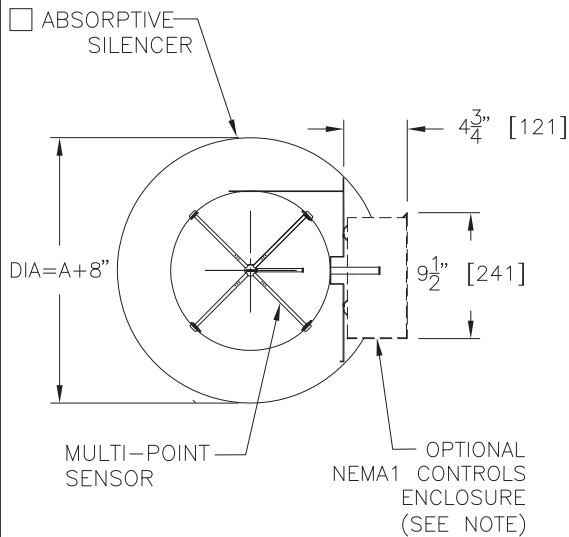
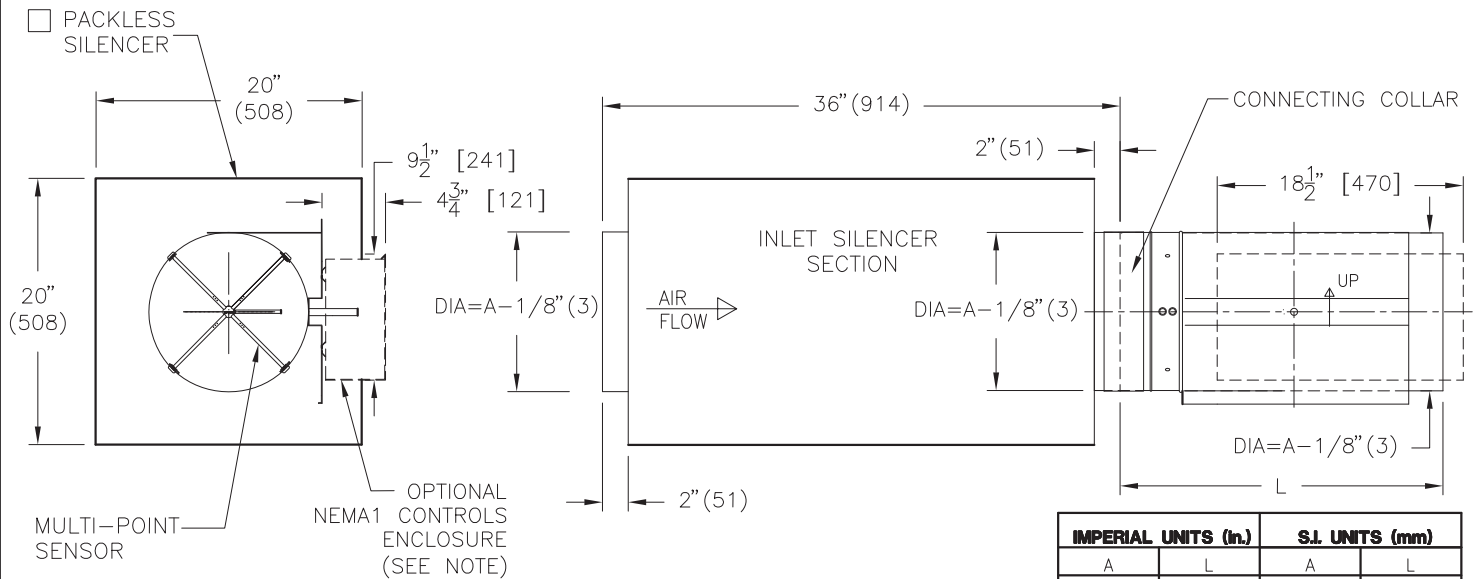
BG

RPVQ8000/SS

EXHAUST CONTROL VALVE
STAINLESS STEEL
WITH INLET SILENCER
PNEUMATIC CONTROLS

253150

2010/09/15



| IMPERIAL UNITS (in.) | | S.I. UNITS (mm) | |
|----------------------|--------|-----------------|-----|
| A | L | A | L |
| 6 | 20 3/8 | 152 | 86 |
| 7 | | 178 | |
| 8 | | 203 | |
| 9 | | 229 | |
| 10 | 20 7/8 | 254 | 530 |
| 12 | 23 1/8 | 305 | 587 |
| 14 | 24 1/8 | 356 | 613 |
| 16 | 26 1/8 | 406 | 664 |

| UNIT SIZE | w/PACKLESS SILENCER | | w/ABSORPTIVE SILENCER | |
|-----------|---------------------|---------|-----------------------|---------|
| | CFM MAX | L/S MAX | CFM MAX | L/S MAX |
| 6 | 380 | 179 | 450 | 212 |
| 7 | 600 | 283 | 650 | 307 |
| 8 | 800 | 378 | 800 | 378 |
| 9 | 1000 | 472 | 1050 | 496 |
| 10 | 1350 | 637 | 1350 | 637 |
| 12 | 2000 | 944 | 2100 | 991 |
| 14 | 2500 | 1180 | 3000 | 1416 |
| 16 | 3500 | 1649 | 4000 | 1888 |

TERMINAL NOTES:

- DUCT CONSTRUCTION FROM 24 GA. TYPE 304 S.S.
- DAMPER FABRICATED FROM 22 GA. TYPE 316 S.S.
- DAMPER SHAFTS, ALL FASTENERS EXPOSED TO THE AIR FLOW ARE TYPE 304 S.S. OR BETTER.
- MULTI-POINT AIRFLOW SENSOR SUPPLIED BY PRICE.
- DAMPER SHAFT BEARINGS & DAMPER GASKET ARE POLYETHYLENE.
- CONTROLLER COVER & ALL OTHER EXTERNAL METAL COMPONENTS ARE ZINC COATED STEEL OR EQUAL.
- DIGITAL CONTROLS BY CONTROL CONTRACTOR
- PRODUCT TO BE SHIPPED FACTORY ASSEMBLED


TERMINAL OPTIONS:

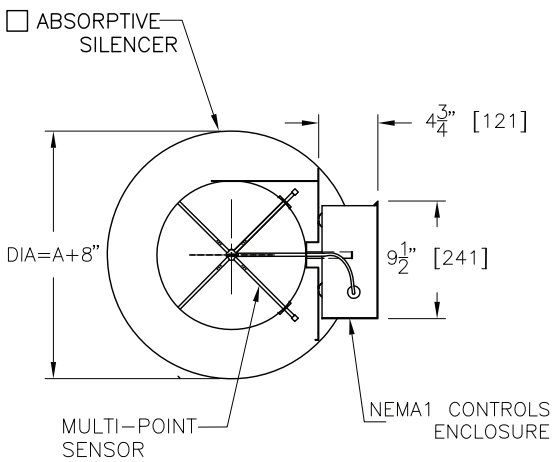
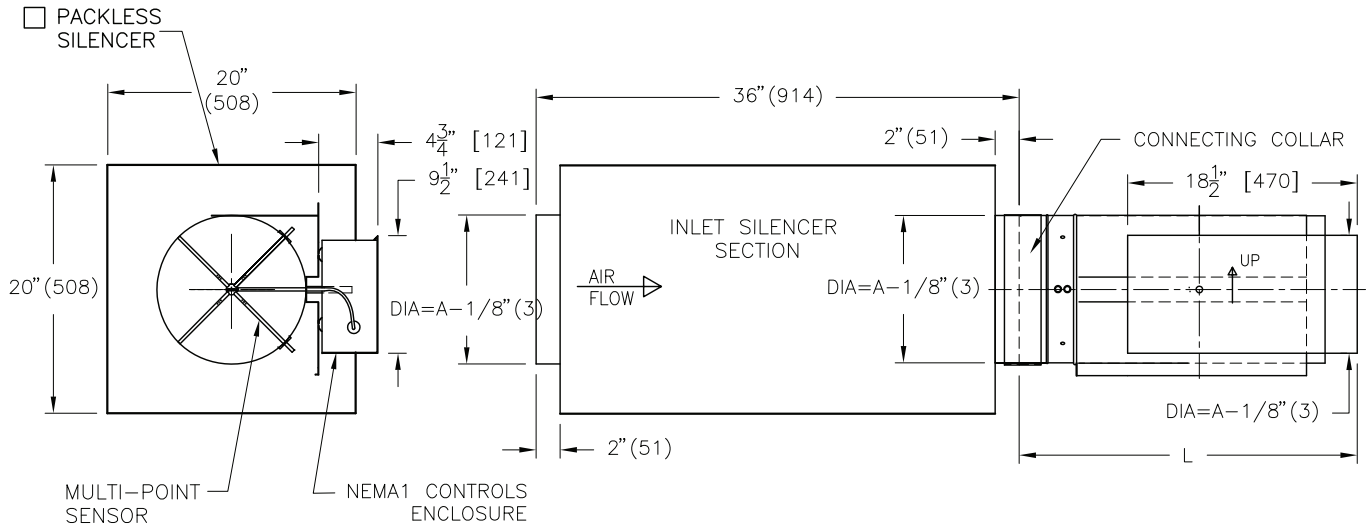
- GALVANIZED CONTROLS ENCLOSURE – NEMA1
- DISCONNECT SWITCH
- RS – BOTTOM REMOVABLE SENSOR
- GT – BRASS AIRFLOW SENSOR GAUGE TAPS

INLET SILENCER NOTES:

- SILENCER, – 24 GA, TYPE 304 S.S., MECHANICALLY FASTENED CONSTRUCTION
- PACKLESS INLET SILENCER (NO MEDIA)
- ABSORPTIVE INLET SILENCER LINED WITH FIBERGLASS INSULATION
- ABSORPTIVE SILENCER MEDIA TREATMENT OPTIONS:
 - PL – POLYMER LINER
 - FC – FIBERGLASS CLOTH

ALL METRIC DIMENSIONS () ARE SOFT CONVERTED. IMPERIAL DIMENSIONS ARE CONVERTED TO METRIC AND ROUNDED TO THE NEAREST MILLIMETER.

| | | | |
|------------------------|----------------------|---|------------|
| PROJECT: | |  | |
| ENGINEER: | | | |
| CUSTOMER: | | EXHAUST CONTROL VALVE STAINLESS STEEL WITH INLET SILENCER DIGITAL CONTROLS | |
| SUBMITTAL DATE: | SPEC. SYMBOL: | 253151 | 2013/02/28 |



| IMPERIAL UNITS (in.) | | SI UNITS (mm) | |
|----------------------|--------------------------------|---------------|-----|
| A | L | A | L |
| 6 | 20 ³ / ₈ | 152 | 86 |
| 7 | | 178 | |
| 8 | | 203 | |
| 9 | | 229 | |
| 10 | 20 ⁷ / ₈ | 254 | 530 |
| 12 | 23 ¹ / ₈ | 305 | 587 |
| 14 | 24 ¹ / ₈ | 356 | 613 |
| 16 | 26 ¹ / ₈ | 406 | 664 |

| UNIT SIZE | w/PACKLESS SILENCER | | w/ABSORPTIVE SILENCER | |
|-----------|---------------------|---------|-----------------------|---------|
| | CFM MAX | L/S MAX | CFM MAX | L/S MAX |
| 6 | 380 | 179 | 450 | 212 |
| 7 | 600 | 283 | 650 | 307 |
| 8 | 800 | 378 | 800 | 378 |
| 9 | 1000 | 472 | 1050 | 496 |
| 10 | 1350 | 637 | 1350 | 637 |
| 12 | 2000 | 944 | 2100 | 991 |
| 14 | 2500 | 1180 | 3000 | 1416 |
| 16 | 3500 | 1649 | 4000 | 1888 |

TERMINAL NOTES:

- DUCT CONSTRUCTION FROM 24 GA. TYPE 304 S.S.
- DAMPER FABRICATED FROM 22 GA. TYPE 316 S.S.
- DAMPER SHAFTS, ALL FASTENERS EXPOSED TO THE AIR FLOW ARE TYPE 304 S.S. OR BETTER.
- REMOVABLE MULTI-POINT SENSOR, TYPE 316 S.S.
- DAMPER SHAFT BEARINGS & DAMPER GASKET ARE POLYETHYLENE.
- CONTROLLER COVER & ALL OTHER EXTERNAL METAL COMPONENTS ARE ZINC COATED STEEL OR EQUAL.
- PRICE CONTROLS FACTORY MOUNTED.
- PRICE THERMOSTAT FIELD MOUNTED.
- PRODUCT TO BE SHIPPED FACTORY ASSEMBLED


TERMINAL OPTIONS:

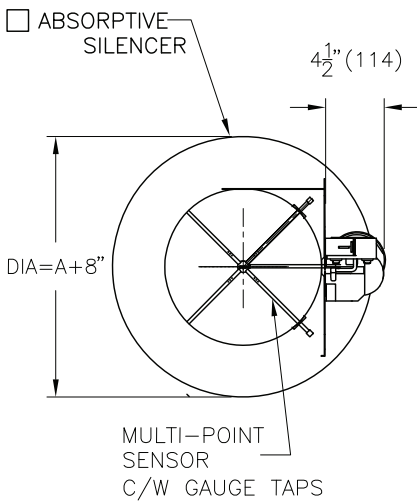
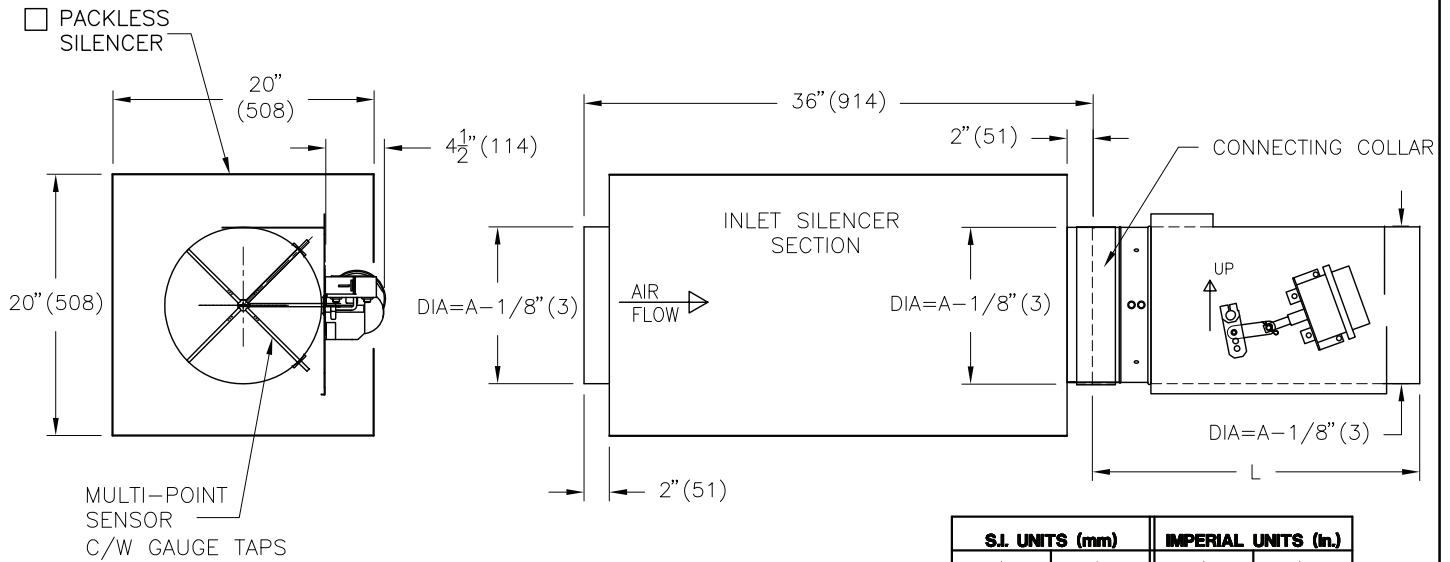
- DISCONNECT SWITCH.
- RS – BOTTOM REMOVABLE SENSOR.

INLET SILENCER NOTES:

- SILENCER , - 24 GA , TYPE 304 S.S. , MECHANICALLY FASTENED CONSTRUCTION
- PACKLESS INLET SILENCER (NO MEDIA)
- ABSORPTIVE INLET SILENCER LINED WITH FIBERGLASS INSULATION
 - ABSORPTIVE SILENCER MEDIA TREATMENT OPTIONS:
 - PL – POLYMER LINER
 - FC – FIBERGLASS CLOTH

ALL METRIC DIMENSIONS () ARE SOFT CONVERTED. IMPERIAL DIMENSIONS ARE CONVERTED TO METRIC AND ROUNDED TO THE NEAREST MILLIMETER.

| | | | |
|------------------------|----------------------|---|---|
| PROJECT: | |  | |
| ENGINEER: | | | |
| CUSTOMER: | | 253152 | EXHAUST CONTROL VALVE STAINLESS STEEL WITH INLET SILENCER PRICE CONTROLS |
| SUBMITTAL DATE: | SPEC. SYMBOL: | 2011/04/19 | |



| SI UNITS (mm) | | IMPERIAL UNITS (in.) | |
|---------------|-----|----------------------|--------------------------------|
| A | L | A | L |
| 152 | 518 | 6 | 20 ³ / ₈ |
| 178 | | 7 | |
| 203 | | 8 | |
| 229 | | 9 | |
| 254 | 530 | 10 | 20 ⁷ / ₈ |
| 305 | 587 | 12 | 23 ¹ / ₈ |
| 356 | 613 | 14 | 24 ¹ / ₈ |
| 406 | 664 | 16 | 26 ¹ / ₈ |

| UNIT SIZE | w/PACKLESS SILENCER | | w/ABSORPTIVE SILENCER | |
|-----------|---------------------|---------|-----------------------|---------|
| | L/S MAX | CFM MAX | L/S MAX | CFM MAX |
| 6 | 179 | 380 | 212 | 450 |
| 7 | 283 | 600 | 307 | 650 |
| 8 | 378 | 800 | 378 | 800 |
| 9 | 472 | 1000 | 496 | 1050 |
| 10 | 637 | 1350 | 637 | 1350 |
| 12 | 944 | 2000 | 991 | 2100 |
| 14 | 1180 | 2500 | 1416 | 3000 |
| 16 | 1649 | 3500 | 1888 | 4000 |

TERMINAL NOTES:

- DUCT CONSTRUCTION FROM 24 GA. TYPE 304 S.S.
- DAMPER FABRICATED FROM 22 GA. TYPE 316 S.S.
- DAMPER SHAFTS, ALL FASTENERS EXPOSED TO THE AIR FLOW ARE TYPE 304 S.S. OR BETTER.
- REMOVABLE MULTI-POINT SENSOR, TYPE 316 S.S.
- DAMPER SHAFT BEARINGS & DAMPER GASKET ARE POLYETHYLENE.
- CONTROLLER COVER & ALL OTHER EXTERNAL METAL COMPONENTS ARE ZINC COATED STEEL OR EQUAL.
- ACTUATOR WILL BE SUPPLIED AS ILLUSTRATED ON RIGHT HAND SIDE UNLESS SPECIFIED OTHERWISE.
- PNEUMATIC ACTUATOR SUPPLIED & MOUNTED BY PRICE.
- CLEAN, DRY, 20 PSI (138 KPa) CONTROL AIR REQUIRED
- GAUGE TAPS ARE STANDARD.
- PRODUCT TO BE SHIPPED FACTORY ASSEMBLED

TERMINAL OPTIONS:

- OTHER PNEUMATIC ACTUATORS SUPPLIED & MOUNTED BY PICE
- PNEUMATIC ACTUATOR SUPPLIED BY CONTROL CONTRACTOR & MOUNTED BY PRICE.
- RS – BOTTOM REMOVABLE SENSOR.

INLET SILENCER NOTES:

- SILENCER , - 24 GA , TYPE 304 S.S. , MECHANICALLY FASTENED CONSTRUCTION
- PACKLESS INLET SILENCER (NO MEDIA)
- ABSORPTIVE INLET SILENCER LINED WITH FIBERGLASS INSULATION
 - ABSORPTIVE SILENCER MEDIA TREATMENT OPTIONS:
 - PL – POLYMER LINER
 - FC – FIBERGLASS CLOTH

ALL METRIC DIMENSIONS () ARE SOFT CONVERTED. IMPERIAL DIMENSIONS ARE CONVERTED TO METRIC AND ROUNDED TO THE NEAREST MILLIMETER.

| | | | |
|------------------------|----------------------|---------------|---|
| PROJECT: | | PRICE® | |
| ENGINEER: | | | |
| CUSTOMER: | | 253466 | EXHAUST CONTROL VALVE STAINLESS STEEL PRESSURE DEPENDENT WITH INLET SILENCER |
| SUBMITTAL DATE: | SPEC. SYMBOL: | 2010/09/15 | |